

78-0L

https://tcmo-pro.ru

https://tcmo-pro.ru

https://tcmo-pro.ru

https://tcmo-pro.ru

https://tcmo-pro.ru

https://tcmo-pro.ru

https://tcmo-pro.ru

https://tcmo-pro.ru

https://tcmo-pro.ru

https://tcmo-pro.ru

https://tcmo-pro.ru

https://tcmo-pro.ru

https://tcmo-pro.ru

https://tcmo-pro.ru

https://tcmo-pro.ru

https://tcmo-pro.ru

https://tcmo-pro.ru

https://tcmo-pro.ru

https://tcmo-pro.ru

https://tcmo-pro.ru

https://tcmo-pro.ru

https://tcmo-pro.ru

https://tcmo-pro.ru

https://tcmo-pro.ru

https://tcmo-pro.ru

https://tcmo-pro.ru

https://tcmo-pro.ru

https://tcmo-pro.ru

https://tcmo-pro.ru

https://tcmo-pro.ru

https://tcmo-pro.ru

https://tcmo-pro.ru

https://tcmo-pro.ru

https://tcmo-pro.ru

https://tcmo-pro.ru

https://tcmo-pro.ru

https://tcmo-pro.ru

https://tcmo-pro.ru

https://tcmo-pro.ru

https://tcmo-pro.ru

https://tcmo-pro.ru

https://tcmo-pro.ru

https://tcmo-pro.ru

https://tcmo-pro.ru

https://tcmo-pro.ru

https://tcmo-pro.ru

https://tcmo-pro.ru

https://tcmo-pro.ru

https://tcmo-pro.ru

https://tcmo-pro.ru

https://tcmo-pro.ru

https://tcmo-pro.ru

https://tcmo-pro.ru

https://tcmo-pro.ru

https://tcmo-pro.ru

https://tcmo-pro.ru

https://tcmo-pro.ru

https://tcmo-pro.ru

https://tcmo-pro.ru

https://tcmo-pro.ru

https://tcmo-pro.ru

https://tcmo-pro.ru

https://tcmo-pro.ru

https://tcmo-pro.ru

https://tcmo-pro.ru

https://tcmo-pro.ru

https://tcmo-pro.ru

https://tcmo-pro.ru

https://tcmo-pro.ru

https://tcmo-pro.ru

https://tcmo-pro.ru

https://tcmo-pro.ru

https://tcmo-pro.ru

https://tcmo-pro.ru

https://tcmo-pro.ru

https://tcmo-pro.ru

https://tcmo-pro.ru

https://tcmo-pro.ru

https://tcmo-pro.ru

https://tcmo-pro.ru

https://tcmo-pro.ru

https://tcmo-pro.ru

https://tcmo-pro.ru

https://tcmo-pro.ru

https://tcmo-pro.ru

https://tcmo-pro.ru

https://tcmo-pro.ru

https://tcmo-pro.ru

https://tcmo-pro.ru

https://tcmo-pro.ru

https://tcmo-pro.ru

https://tcmo-pro.ru

https://tcmo-pro.ru

https://tcmo-pro.ru

https://tcmo-pro.ru

https://tcmo-pro.ru

https://tcmo-pro.ru

https://tcmo-pro.ru

https://tcmo-pro.ru

https://tcmo-pro.ru

https://tcmo-pro.ru

https://tcmo-pro.ru

https://tcmo-pro.ru

https://tcmo-pro.ru

https://tcmo-pro.ru

https://tcmo-pro.ru

https://tcmo-pro.ru

https://tcmo-pro.ru

https://tcmo-pro.ru

https://tcmo-pro.ru

https://tcmo-pro.ru

https://tcmo-pro.ru

https://tcmo-pro.ru

https://tcmo-pro.ru

https://tcmo-pro.ru

https://tcmo-pro.ru

https://tcmo-pro.ru

https://tcmo-pro.ru

https://tcmo-pro.ru

https://tcmo-pro.ru

https://tcmo-pro.ru

https://tcmo-pro.ru

https://tcmo-pro.ru

https://tcmo-pro.ru

https://tcmo-pro.ru

https://tcmo-pro.ru

https://tcmo-pro.ru

https://tcmo-pro.ru

https://tcmo-pro.ru

https://tcmo-pro.ru

https://tcmo-pro.ru

https://tcmo-pro.ru

https://tcmo-pro.ru

https://tcmo-pro.ru

https://tcmo-pro.ru

Перв. примен.

Справ. №

A

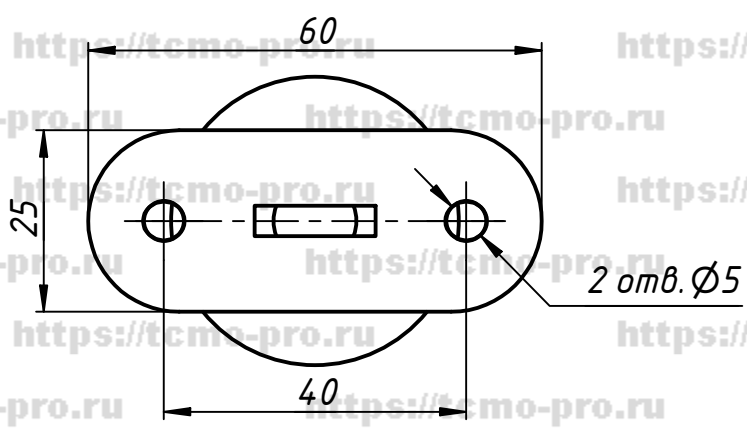
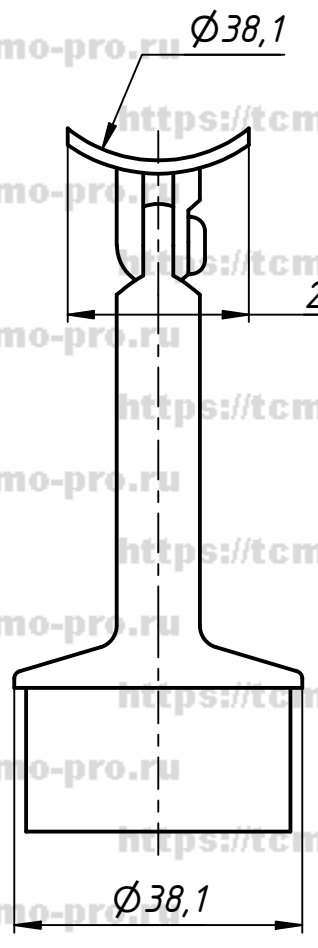
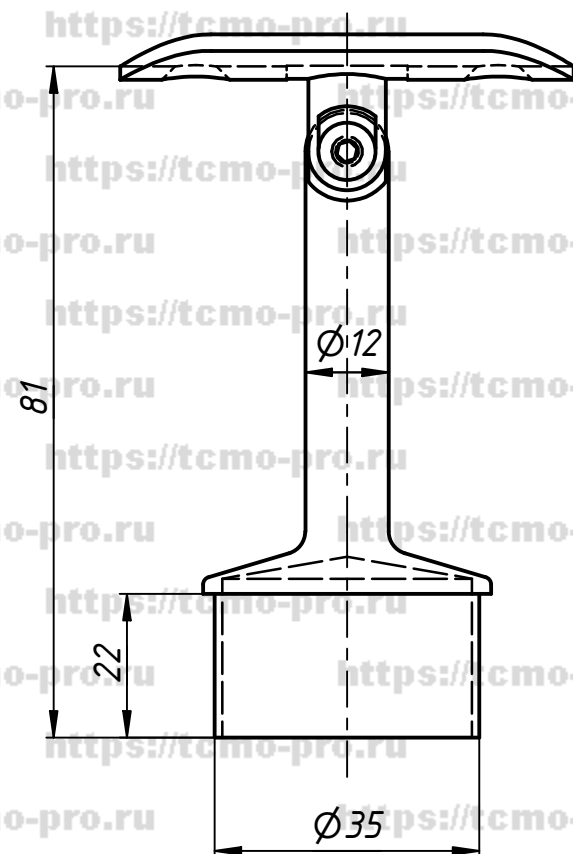
Подп. и дата

Инв. № дубл.

Взам. инв. №

Подп. и дата

Инв. № подл.



				70-84			
				Держатель поручня Ø 50.8			
				для стойки Ø 38.1			
				нерегулируемый			
Изм.	Лист	№ докум.	Подп.	Дата	Лит.	Масса	Масштаб
Разраб.	user			12.03.2019			
Пров.							
Т. контр.							
Нач.отд.							
Н. контр.							
Утв.							
					Лист	Листов	1