

00L

Перв. примен.

Справ. №

A

Подп. и дата

Инв. № дубл.

Взам. инв. №

Подп. и дата

Инв. № подл.

https://tcmo-pro.ru

https://tcmo-pro.ru

https://tcmo-pro.ru

https://tcmo-pro.ru

https://tcmo-pro.ru

https://tcmo-pro.ru

https://tcmo-pro.ru

https://tcmo-pro.ru

https://tcmo-pro.ru

https://tcmo-pro.ru

https://tcmo-pro.ru

https://tcmo-pro.ru

https://tcmo-pro.ru

https://tcmo-pro.ru

https://tcmo-pro.ru

https://tcmo-pro.ru

https://tcmo-pro.ru

https://tcmo-pro.ru

https://tcmo-pro.ru

https://tcmo-pro.ru

https://tcmo-pro.ru

https://tcmo-pro.ru

https://tcmo-pro.ru

https://tcmo-pro.ru

https://tcmo-pro.ru

https://tcmo-pro.ru

https://tcmo-pro.ru

https://tcmo-pro.ru

https://tcmo-pro.ru

https://tcmo-pro.ru

https://tcmo-pro.ru

https://tcmo-pro.ru

https://tcmo-pro.ru

https://tcmo-pro.ru

https://tcmo-pro.ru

https://tcmo-pro.ru

https://tcmo-pro.ru

https://tcmo-pro.ru

https://tcmo-pro.ru

https://tcmo-pro.ru

https://tcmo-pro.ru

https://tcmo-pro.ru

https://tcmo-pro.ru

https://tcmo-pro.ru

https://tcmo-pro.ru

https://tcmo-pro.ru

https://tcmo-pro.ru

https://tcmo-pro.ru

https://tcmo-pro.ru

https://tcmo-pro.ru

https://tcmo-pro.ru

https://tcmo-pro.ru

https://tcmo-pro.ru

https://tcmo-pro.ru

https://tcmo-pro.ru

https://tcmo-pro.ru

https://tcmo-pro.ru

https://tcmo-pro.ru

https://tcmo-pro.ru

https://tcmo-pro.ru

https://tcmo-pro.ru

https://tcmo-pro.ru

https://tcmo-pro.ru

https://tcmo-pro.ru

https://tcmo-pro.ru

https://tcmo-pro.ru

https://tcmo-pro.ru

https://tcmo-pro.ru

https://tcmo-pro.ru

https://tcmo-pro.ru

https://tcmo-pro.ru

https://tcmo-pro.ru

https://tcmo-pro.ru

https://tcmo-pro.ru

https://tcmo-pro.ru

https://tcmo-pro.ru

https://tcmo-pro.ru

https://tcmo-pro.ru

https://tcmo-pro.ru

https://tcmo-pro.ru

https://tcmo-pro.ru

https://tcmo-pro.ru

https://tcmo-pro.ru

https://tcmo-pro.ru

https://tcmo-pro.ru

https://tcmo-pro.ru

https://tcmo-pro.ru

https://tcmo-pro.ru

https://tcmo-pro.ru

https://tcmo-pro.ru

https://tcmo-pro.ru

https://tcmo-pro.ru

https://tcmo-pro.ru

https://tcmo-pro.ru

https://tcmo-pro.ru

https://tcmo-pro.ru

https://tcmo-pro.ru

https://tcmo-pro.ru

https://tcmo-pro.ru

https://tcmo-pro.ru

https://tcmo-pro.ru

https://tcmo-pro.ru

https://tcmo-pro.ru

https://tcmo-pro.ru

https://tcmo-pro.ru

https://tcmo-pro.ru

https://tcmo-pro.ru

https://tcmo-pro.ru

https://tcmo-pro.ru

https://tcmo-pro.ru

https://tcmo-pro.ru

https://tcmo-pro.ru

https://tcmo-pro.ru

https://tcmo-pro.ru

https://tcmo-pro.ru

https://tcmo-pro.ru

https://tcmo-pro.ru

https://tcmo-pro.ru

https://tcmo-pro.ru

https://tcmo-pro.ru

https://tcmo-pro.ru

https://tcmo-pro.ru

https://tcmo-pro.ru

https://tcmo-pro.ru

https://tcmo-pro.ru

https://tcmo-pro.ru

https://tcmo-pro.ru

https://tcmo-pro.ru

https://tcmo-pro.ru

https://tcmo-pro.ru

https://tcmo-pro.ru

https://tcmo-pro.ru

https://tcmo-pro.ru

https://tcmo-pro.ru

https://tcmo-pro.ru

https://tcmo-pro.ru

https://tcmo-pro.ru

https://tcmo-pro.ru

https://tcmo-pro.ru

https://tcmo-pro.ru

https://tcmo-pro.ru

https://tcmo-pro.ru

https://tcmo-pro.ru

https://tcmo-pro.ru

https://tcmo-pro.ru

https://tcmo-pro.ru

https://tcmo-pro.ru

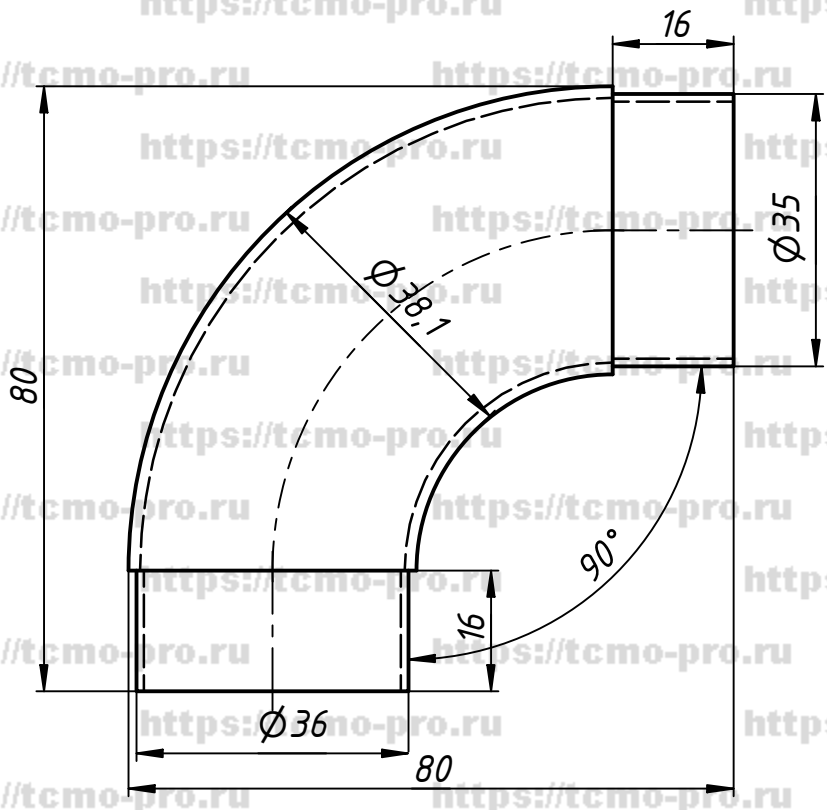
https://tcmo-pro.ru

https://tcmo-pro.ru

https://tcmo-pro.ru

https://tcmo-pro.ru

https://tcmo-pro.ru



					700			
Изм.	Лист	№ докум.	Подп.	Дата	Отвод поручня $\Phi 38,1$ 90°	Лист	Масса	Масштаб
Разраб.	user			13.03.2019				
Пров.						Лист	Листов	1
Т. контр.								
Нач.отд.								
Н. контр.								
Утв.								